

# Decks

## DECK INSTALLATION GUIDELINES

### Items needed:

- City of Antigo Building Permit
- **Proper Fees--\$7.00 per thousand of construction or Minimum of \$30.00**
- **Site Plan to include:**
  - Setbacks to property lines
  - Distances to other structures
  - Drainage easements
  - Utility easements
- **Deck detail**
  - Type of material – treated lumber, composite wood, etc.
  - How is it put together – blueprints or hand drawn sketch
  - Material sizes
  - Footings
  - Handrails
  - Guardrails
  - Steps
  - Support spacing
  - Attachment to house detail



### Items for Consideration:

1. Drainage easements
2. Utility easements
3. Property lines
4. Diggers Hotline (1-800-242-8511)
5. Plan ahead for future (fences, additions, sheds, etc.)



## ANSWERS TO SOME BASIC DECK QUESTIONS

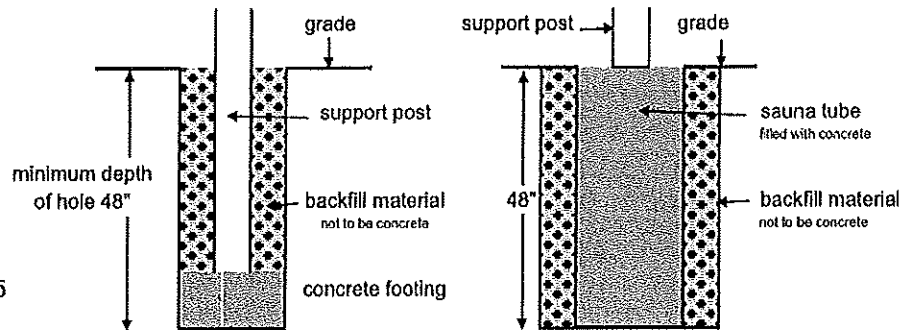
**Items required for permit:**

Plot Plan - location on property with distances to property lines

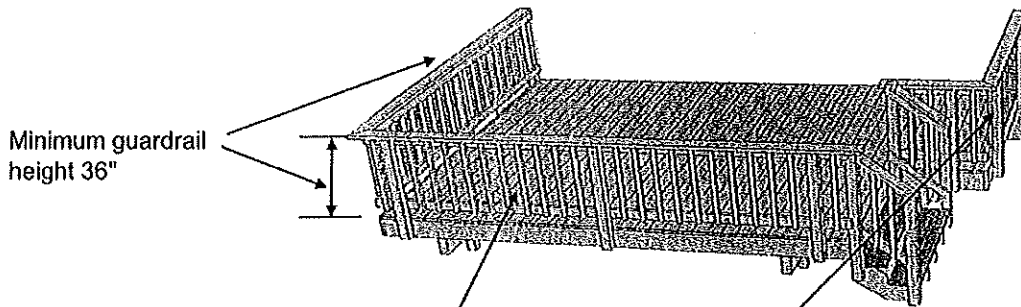
Deck Detail - to include post spacing, joist sizes, and type of lumber

Permit Fee and Application

Must meet requirements of COMM 21.225



Footing and frost protection COMM 21.15 and 21.16



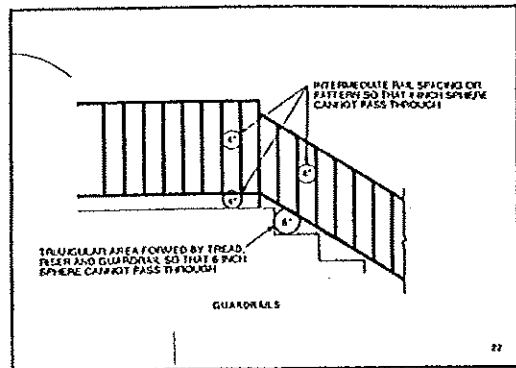
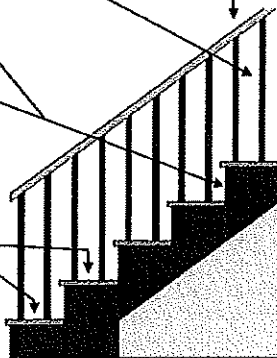
**CODE CHANGE EFFECTIVE JANUARY 1, 2005**

Maximum spacing of guardrail system never to exceed 4" sphere\*\*  
 \*\*This 4" limitation will also apply to open risers.

Grippable handrail COMM 21.04 (30" - 38" above nose of tread)

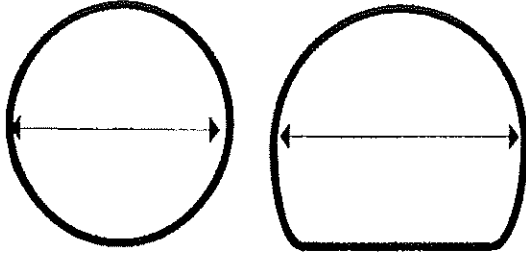
Steps - riser height must be uniform and not exceed 8"

Tread depth must be uniform minimum 9" measured from nose to nose



# 21.04(2)(a)5. HANDRAIL SHAPES

## ROUND



← **MAXIMUM 2"** →  
**DIAMETER**

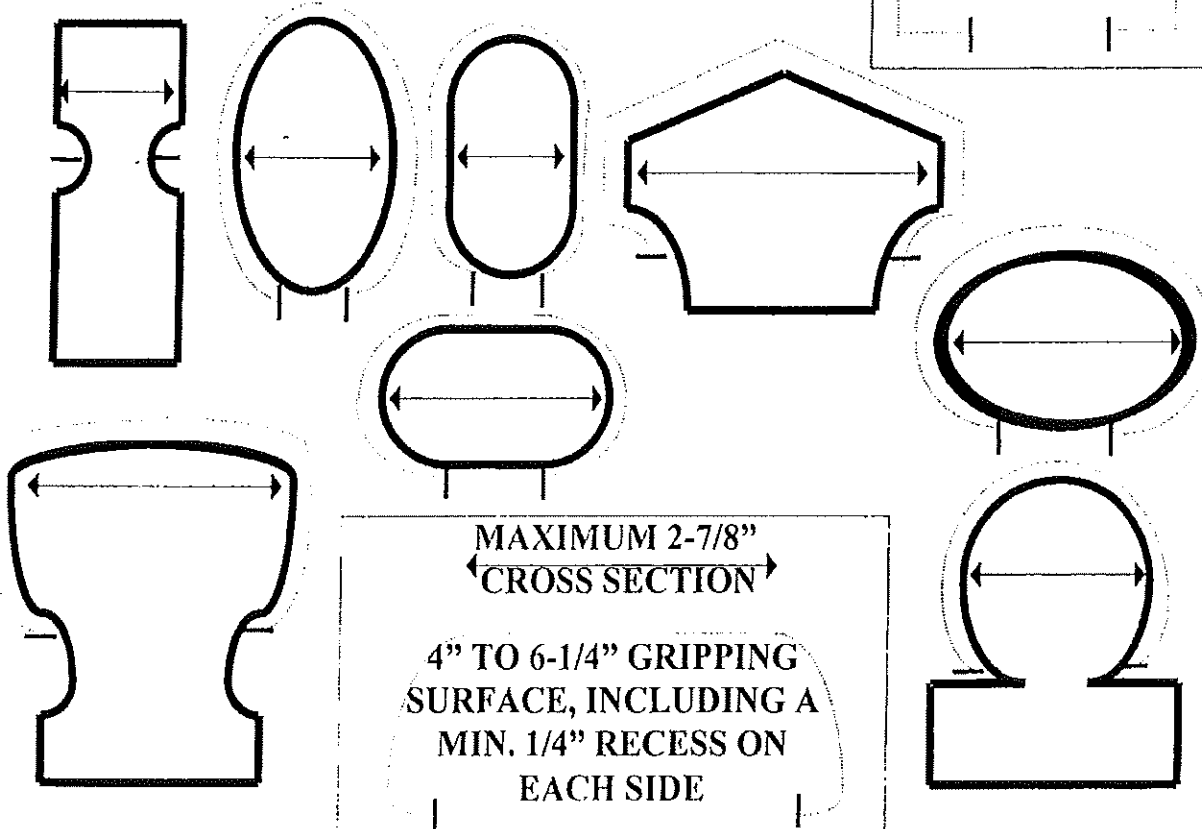
## RECTANGULAR

OK (w x ht):  
1/2"x 2-5/8"  
3/4"x 2-1/2"  
1"x 2-3/8"  
1-1/8"x 2-5/16"  
1-1/2"x 2-1/8"  
1-7/8"x 1-15/16"

OK (w x ht):  
2"x 1-7/8"  
2-1/2"x 1-5/8"  
← 2-3/4"x 1-1/2" →  
2-7/8"x 1/2" TO 1-7/16"

← **MAXIMUM 2-7/8"** →  
**CROSS SECTION**  
**MAX. 6-1/4"**  
**GRIPPING**  
**SURFACE INCL.**  
**MIN. 1/4"**  
**RECESS ON**  
**EACH SIDE**

## OTHERS



← **MAXIMUM 2-7/8"** →  
**CROSS SECTION**  
**4" TO 6-1/4" GRIPPING**  
**SURFACE, INCLUDING A**  
**MIN. 1/4" RECESS ON**  
**EACH SIDE**